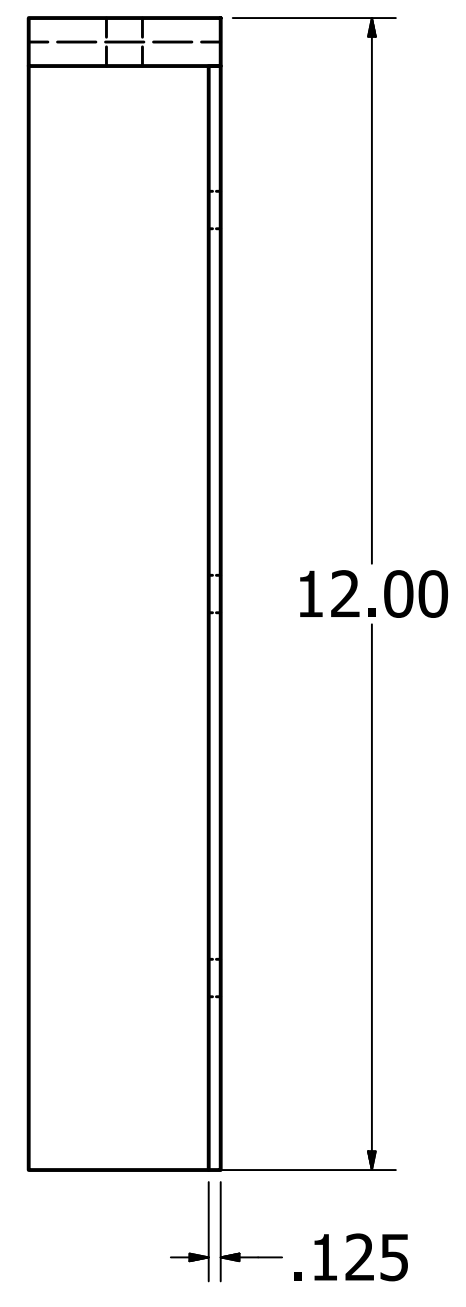
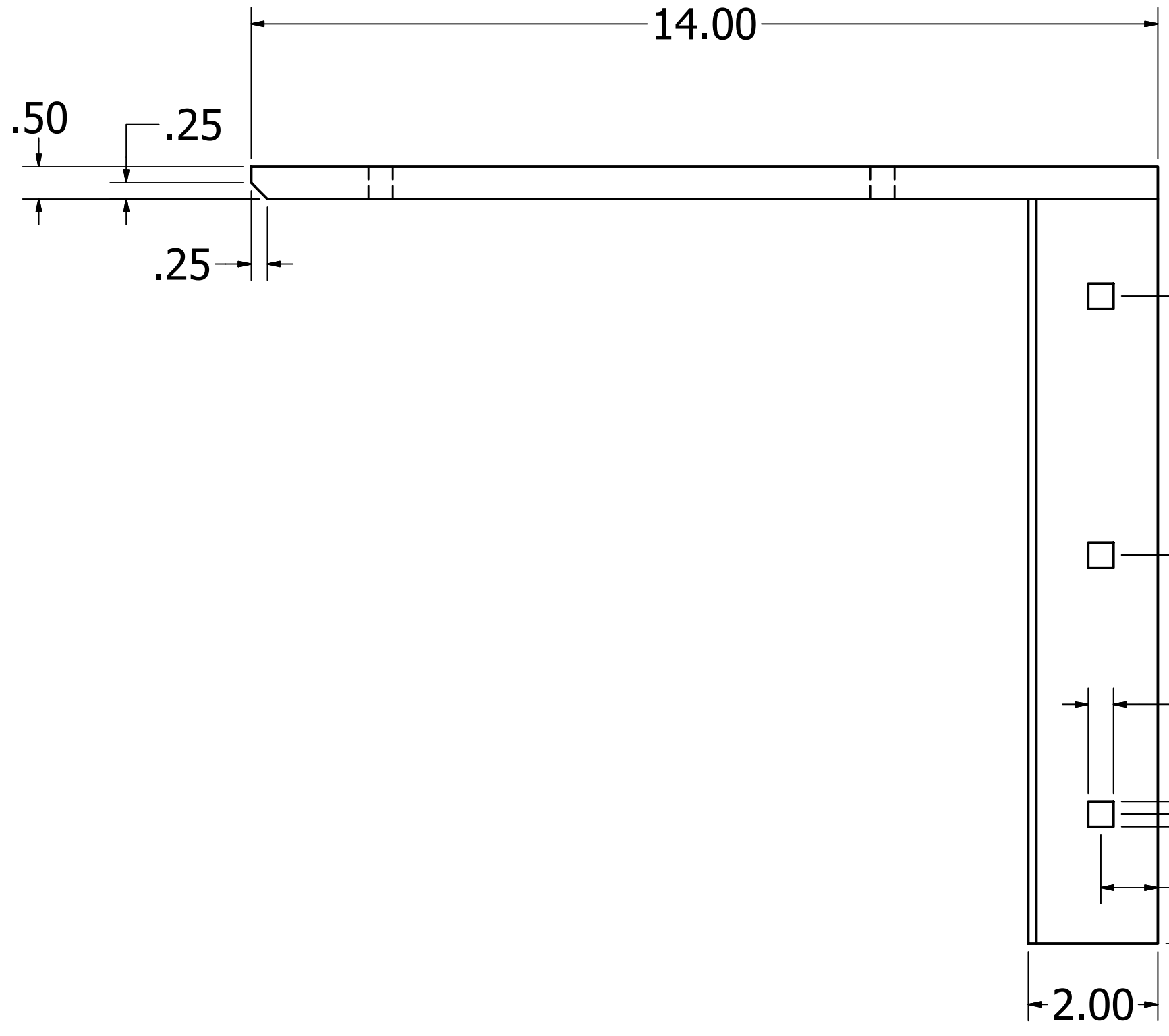
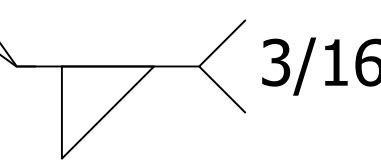
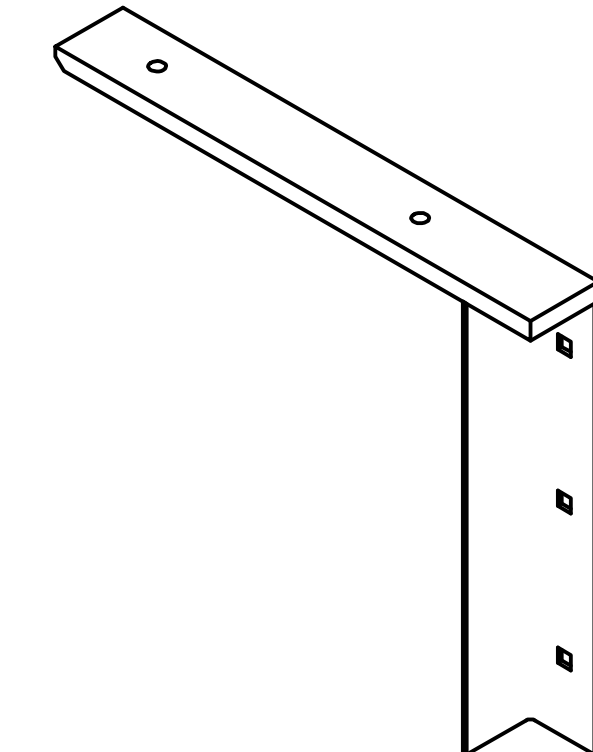
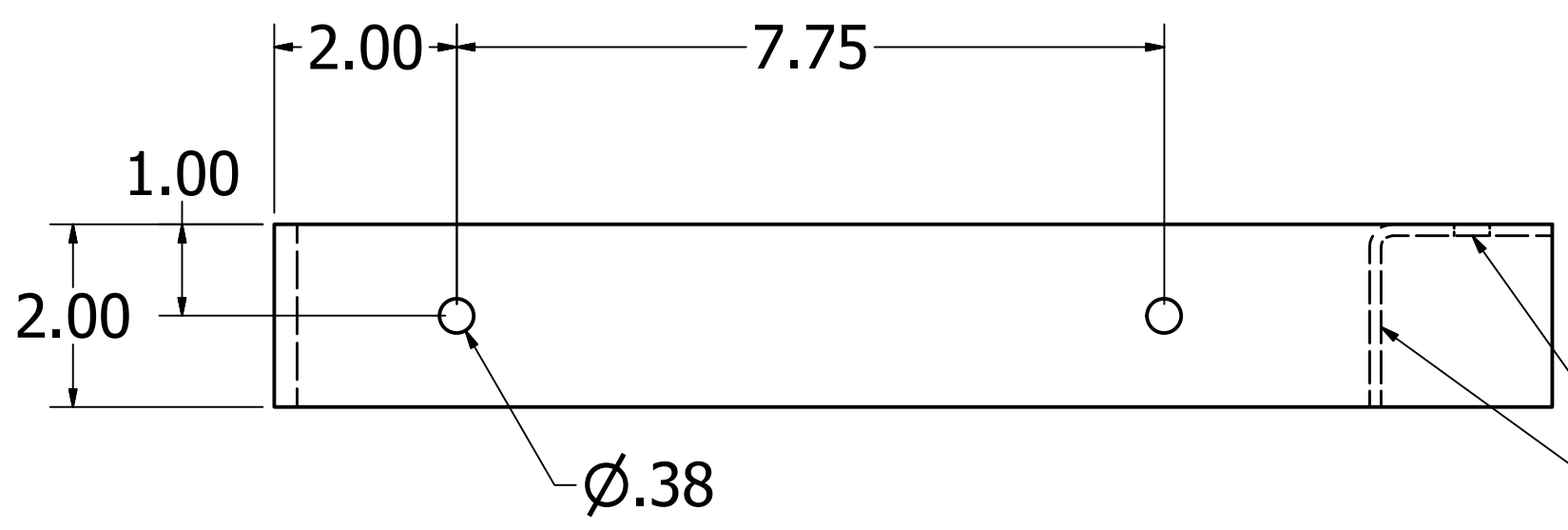


4 3 2 1

D  
C  
B  
A

D  
C  
B  
A



DRAWN	2/9/16			TITLE
SAR				
CHECKED				C-12" CONCEALED BRACKET FLAT
QA				
MFG				
APPROVED				
	SIZE	DWG NO	REV	
	C	C FLAT 12 (2.0)		
	SCALE	SHEET 1 OF 1		

4 3 2 1