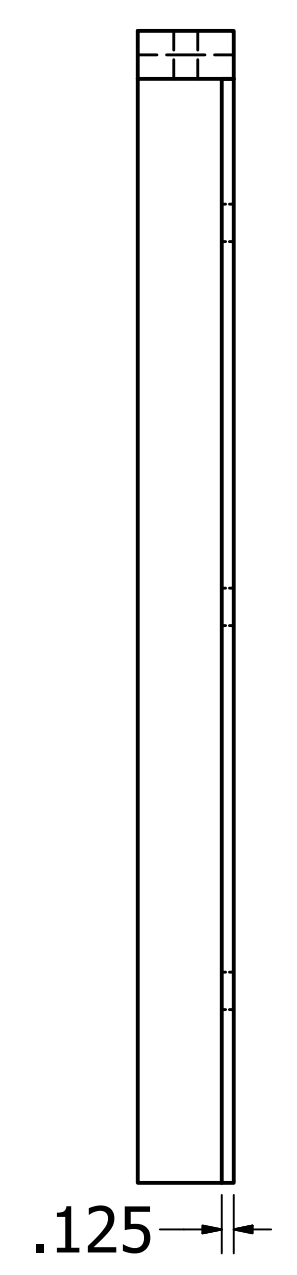
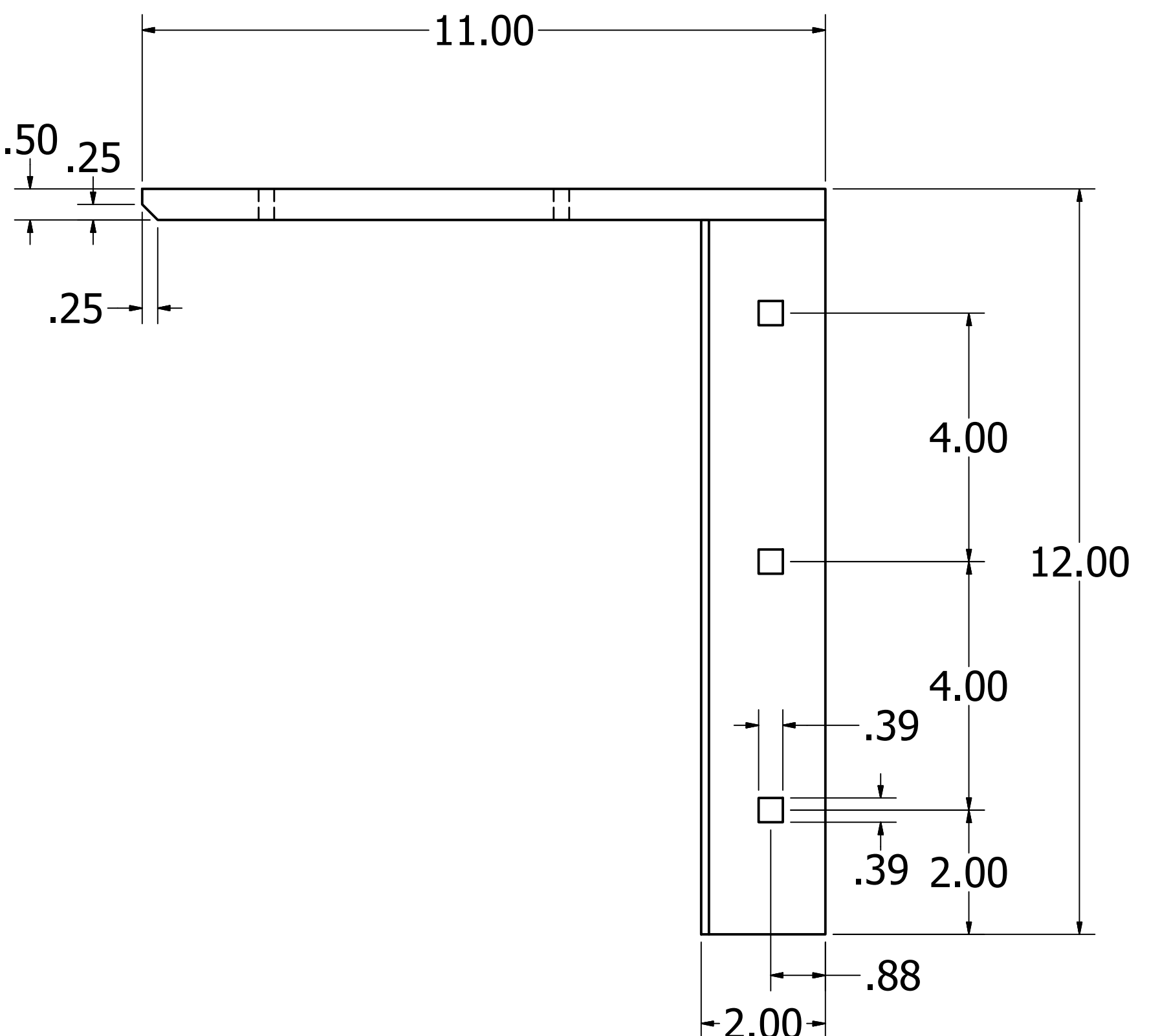
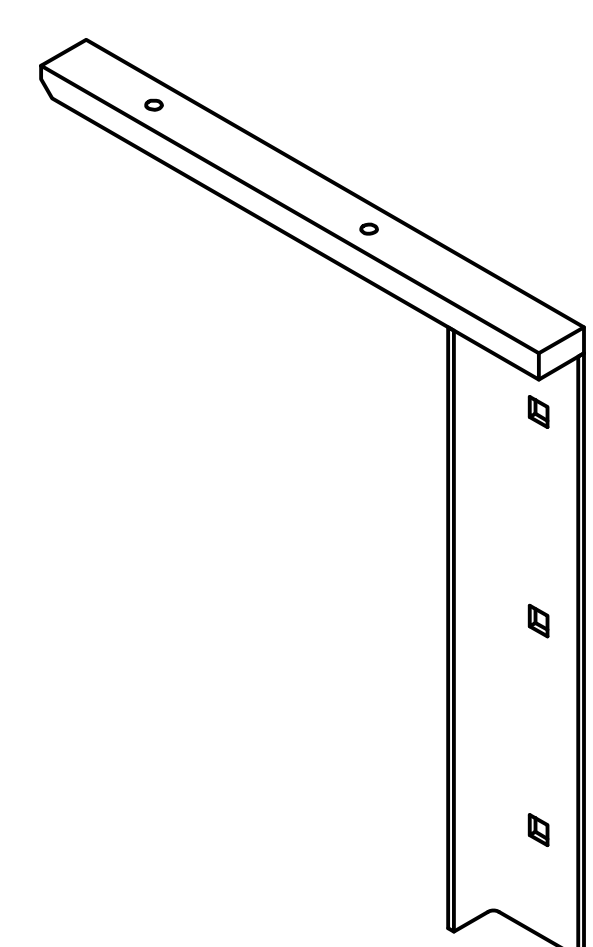
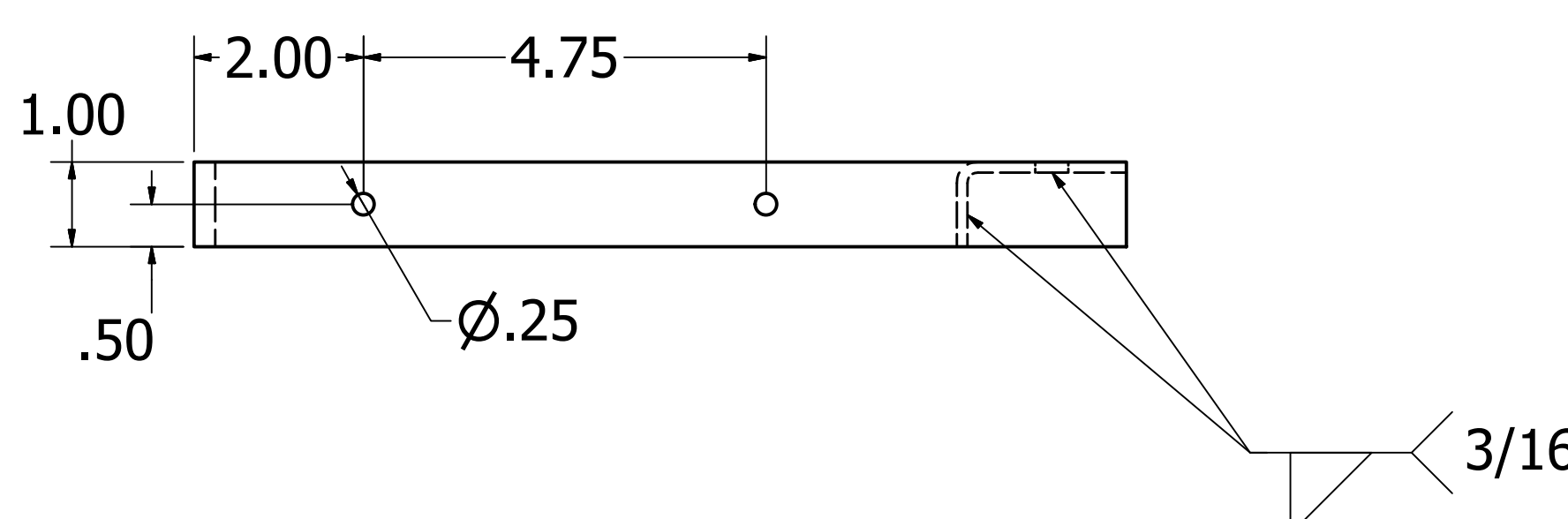


4 3 2 1



DRAWN SAR	1/20/2016	TITLE		
CHECKED				
QA		C-9" CONCEALED BRACKET FLAT		
MFG		SIZE	DWG NO	REV
APPROVED		C	C FLAT 9 (1.0)	
		SCALE	SHEET 1 OF 1	

4 3 2 1

D
C
B
A

D
C
B
A