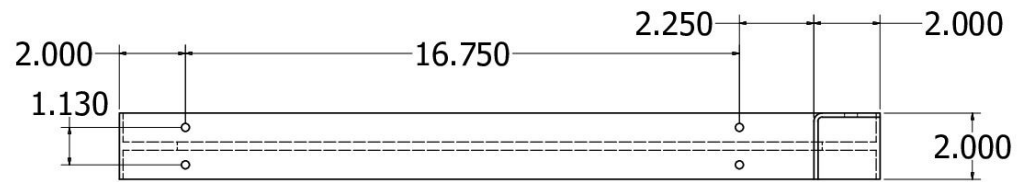


8 | 7 | 6 | 5 | 4 | 3 | 2 | 1

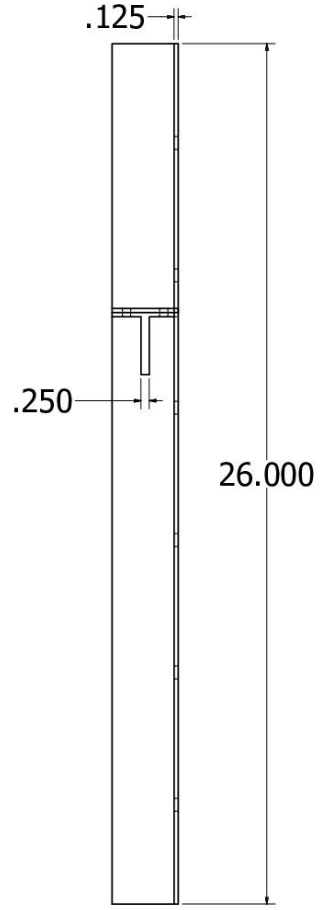
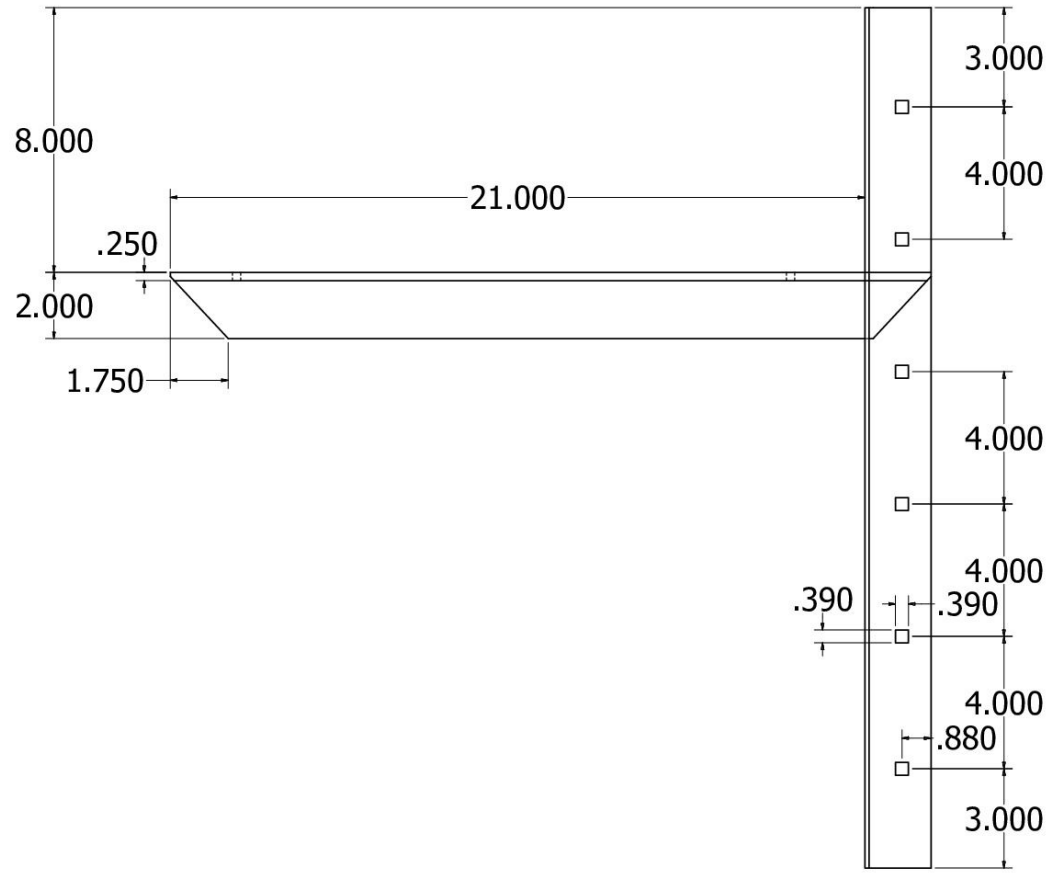
D

D



C

C



B

B

A

A

8 | 7 | 6 | 5 | 4 | 3 | 2 | 1

DRAWN	SAR	5/3/2018		
CHECKED			TITLE	
QA				
MFG				
APPROVED				
SIZE	D	DWG NO	EC21	REV
SCALE	.5	SHEET	1	OF 1