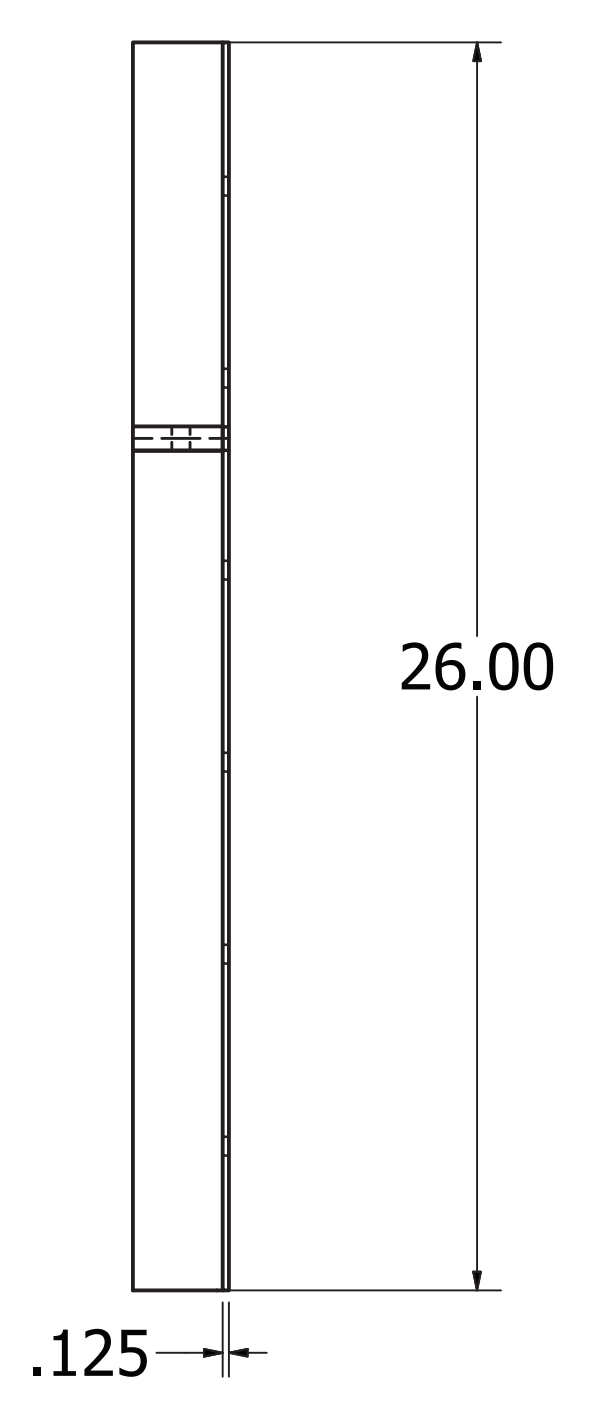
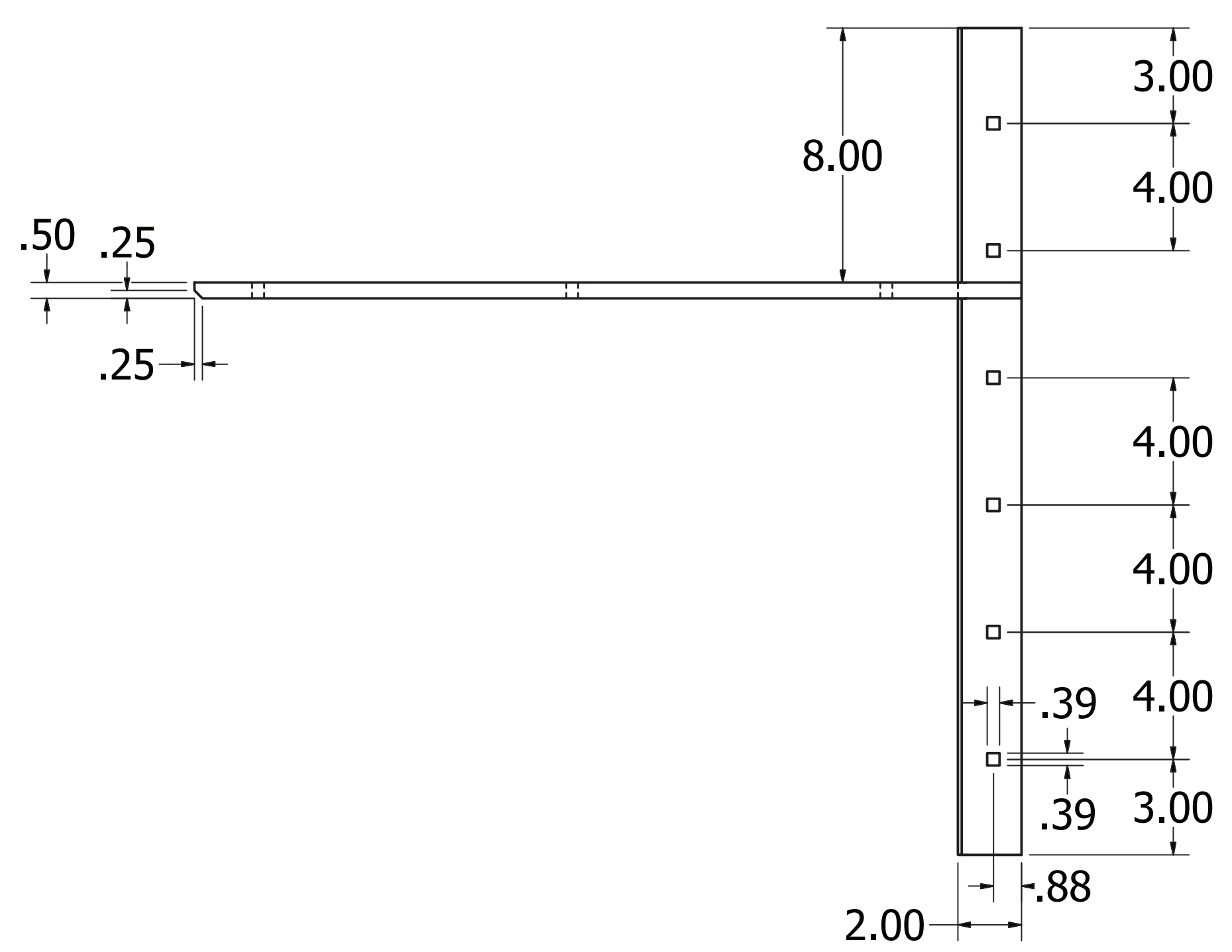
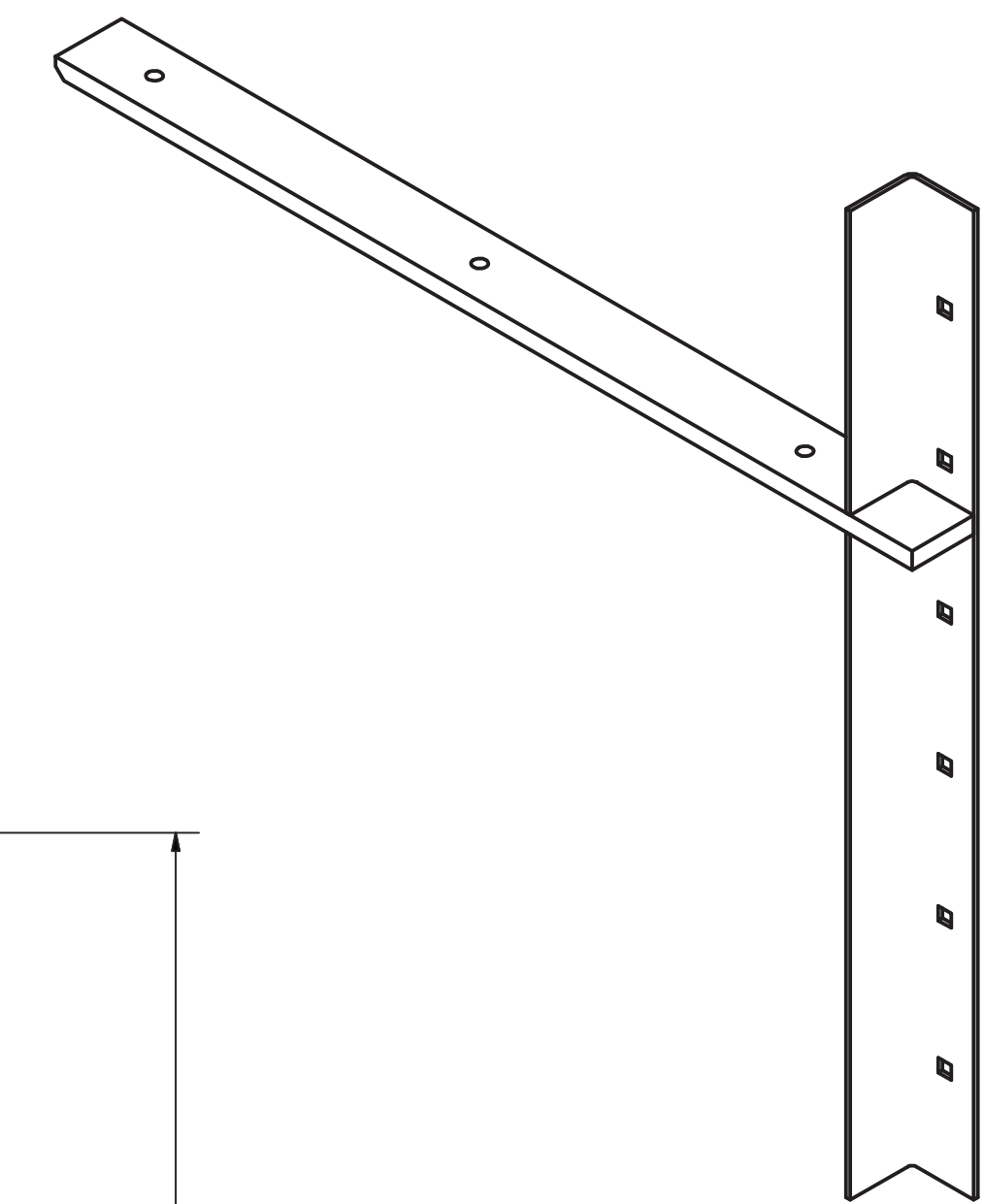
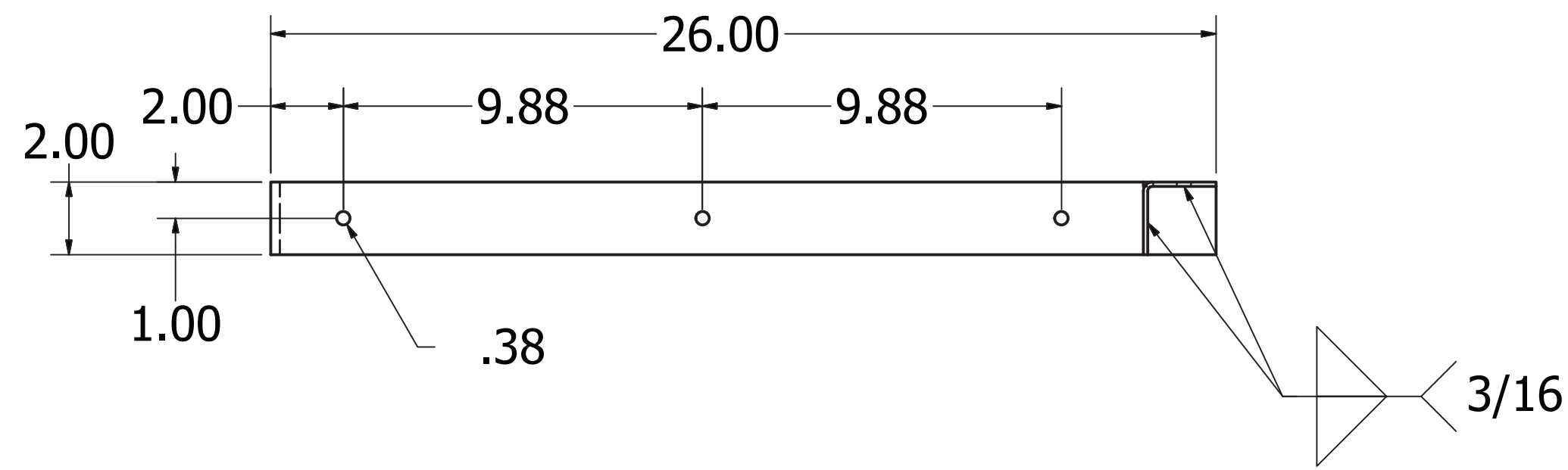


4 3 2 1

D  
C  
B  
A

D  
C  
B  
A



DRAWN SAR	2/9/16	TITLE EC-24" EXTENDED CONCEALED FLAT BRACKET		
CHECKED				
QA		SIZE C	DWG NO EC FLAT 24 (2.0)	REV
MFG		SCALE	SHEET 1 OF 1	
APPROVED				

4 3 2 1