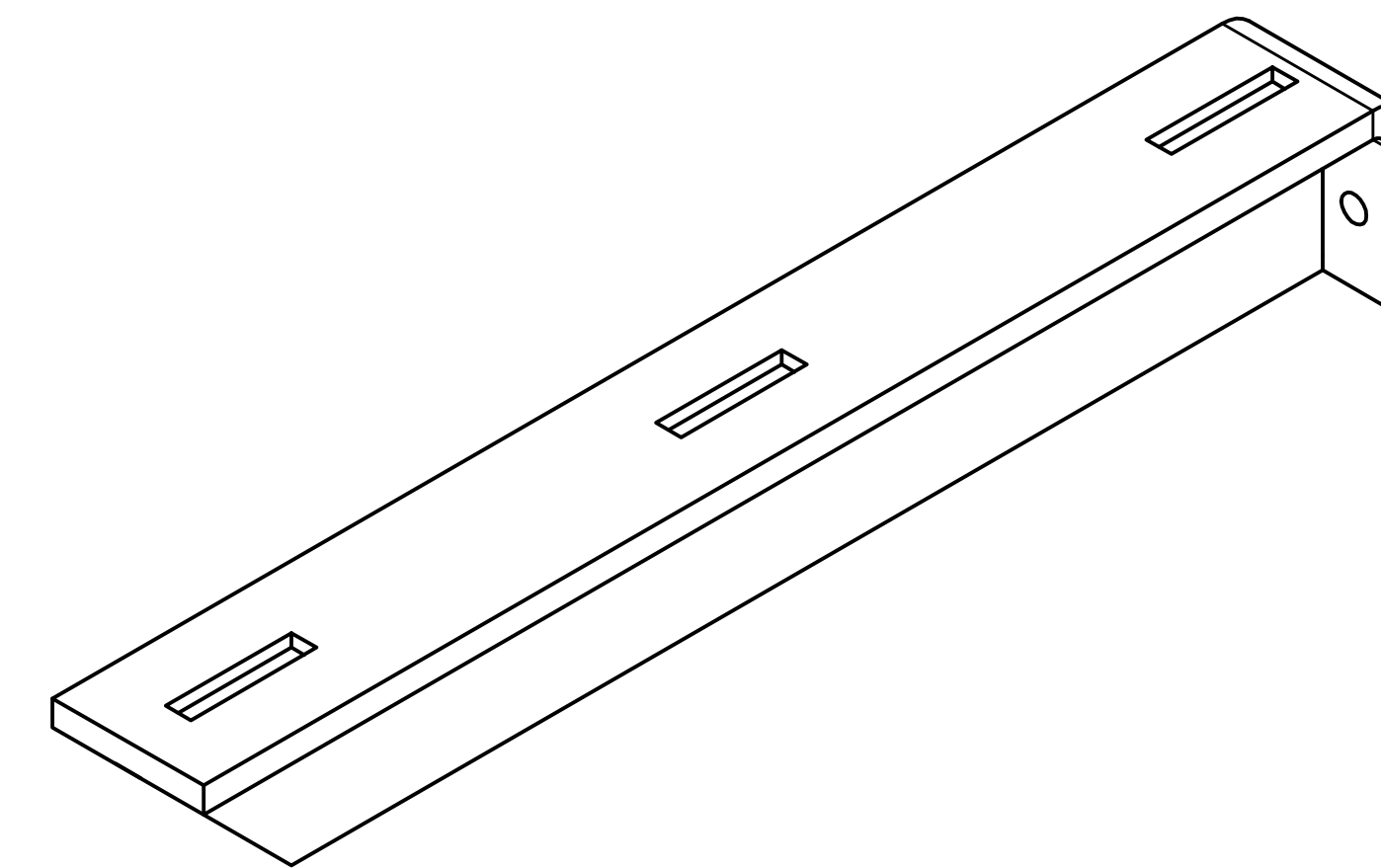


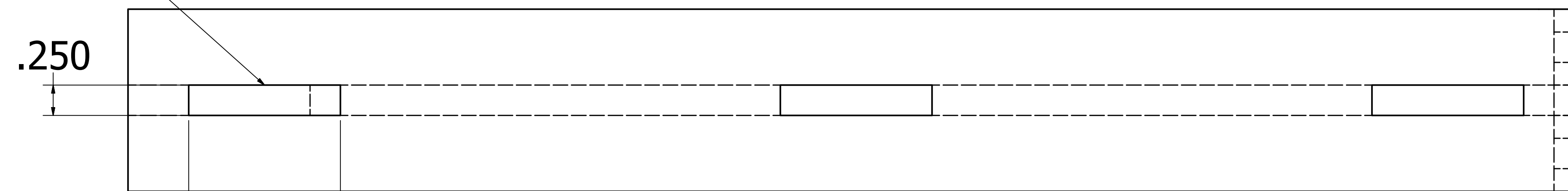
8 7 6 5 4 3 2 1

D

D



4X



.250

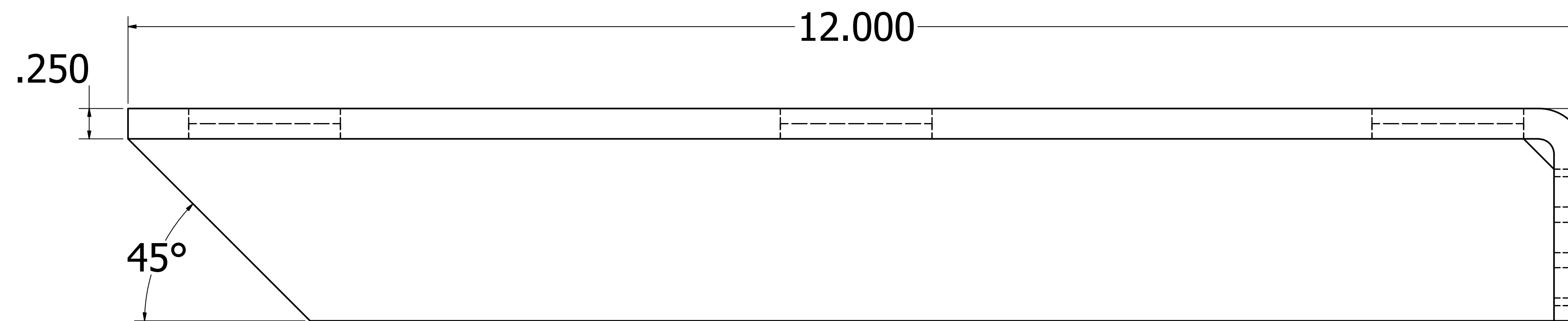
1.250

C

C

B

B



.250

12.000

45°

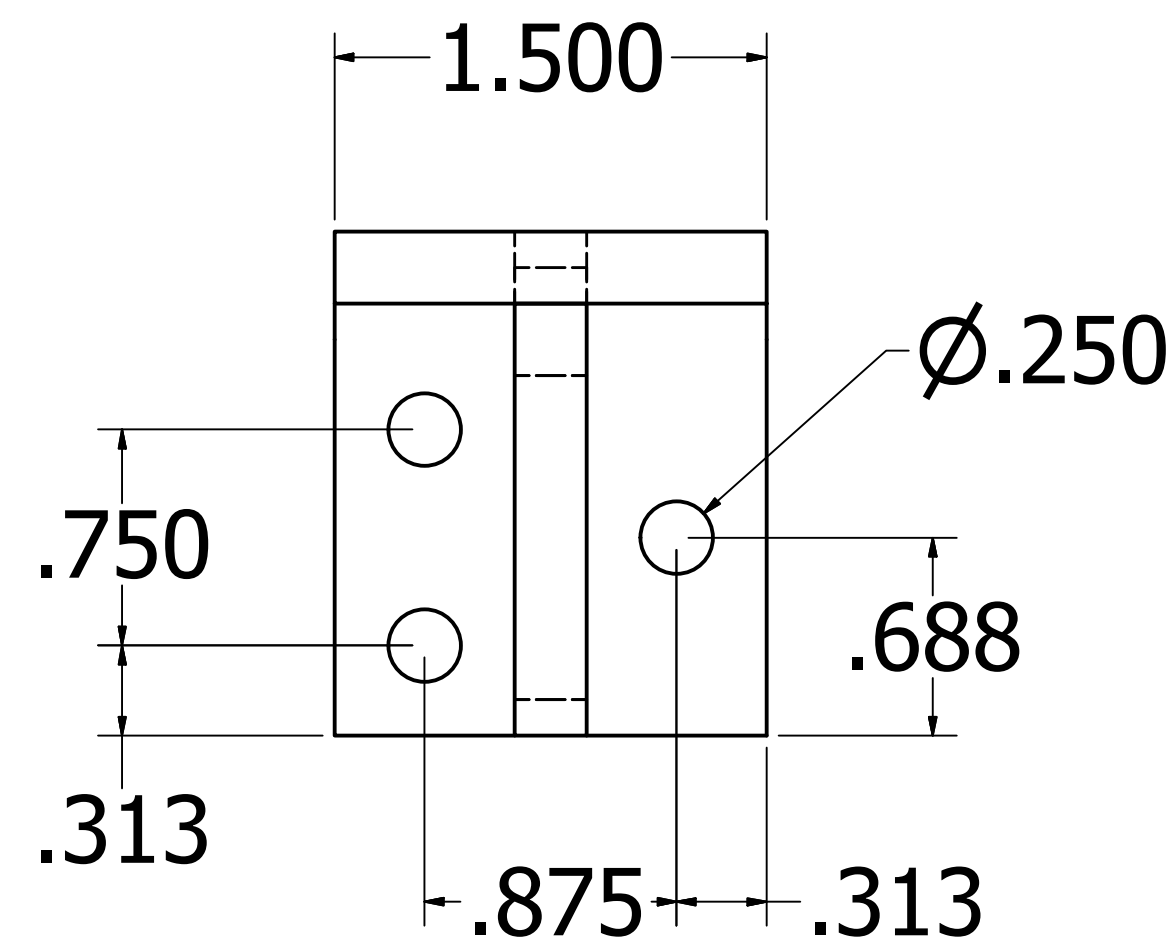
1.750

B

B

A

A



1.500

Ø.250

.750

.688

.313

.875

.313

DRAWN	SAR	10/11/2017	TITLE		
CHECKED			12x1-3/4x1/4		
QA			SIZE	DWG NO	REV
MFG			D	12x1.75x.25	
APPROVED			SCALE	1.5	SHEET 1 OF 1

8 7 6 5 4 3 2 1