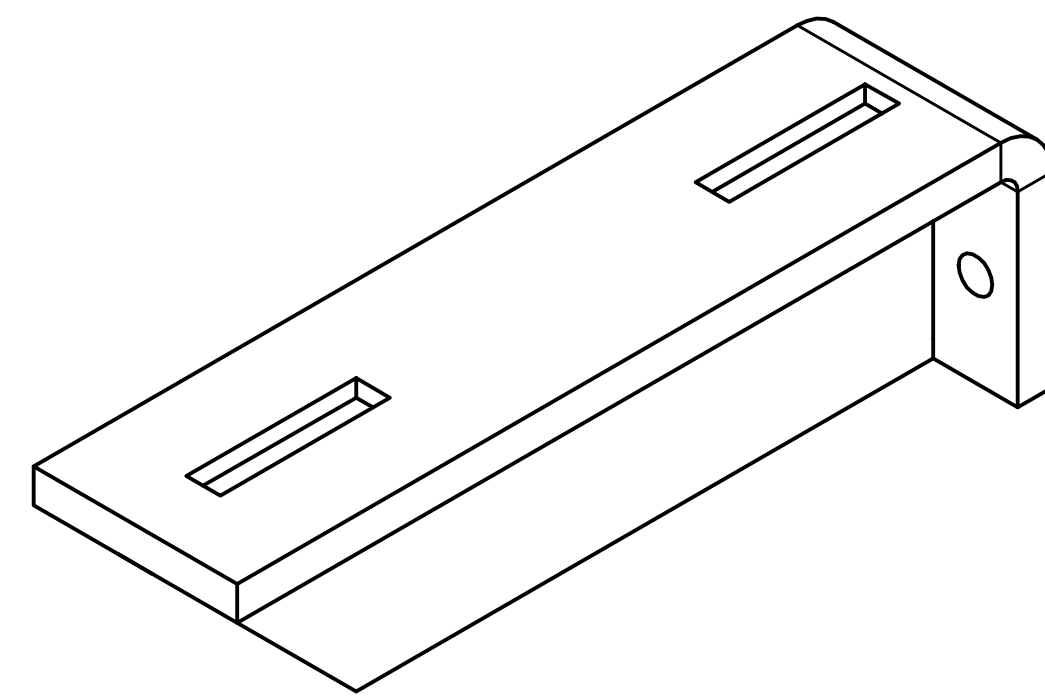


8 7 6 5 4 3 2 1

D

D



3X

.250

1.250

1.500

6.000

1.750

Ø.250

.750

.688

45°

.313

.875

.313

C

C

B

B

B

B

A

A

8 7 6 5 4 3 2 1

DRAWN	SAR	10/11/2017	TITLE		
CHECKED			6x1-3/4x1/4		
QA			SIZE	DWG NO	REV
MFG			D	6x1.75x.25	
APPROVED			SCALE	2	SHEET 1 OF 1