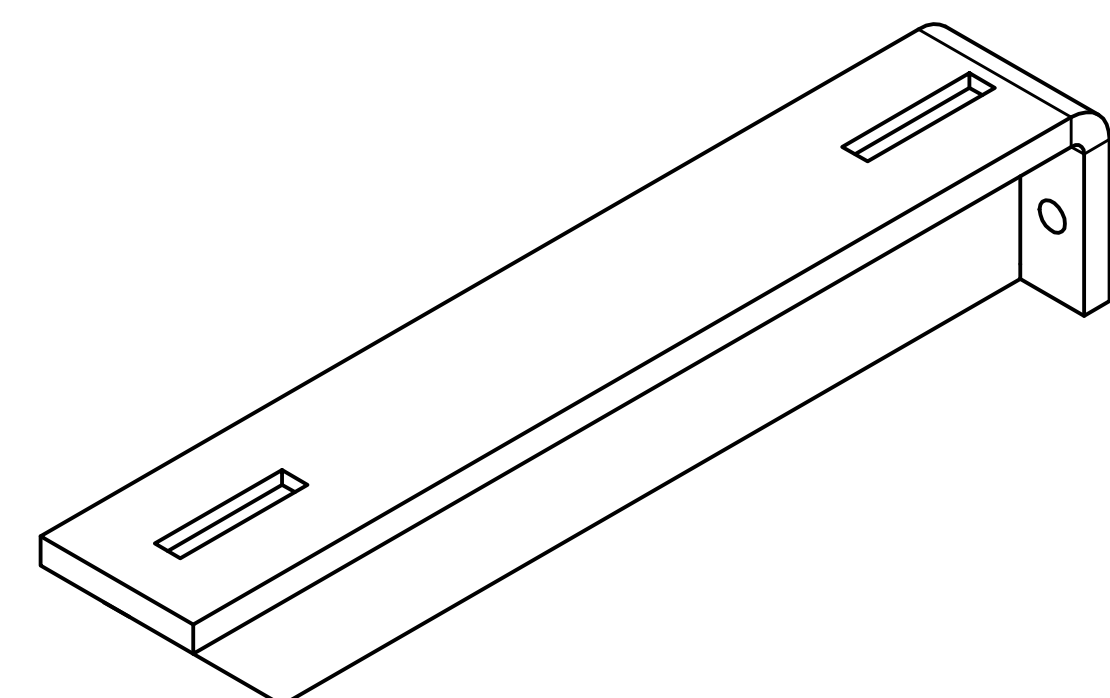


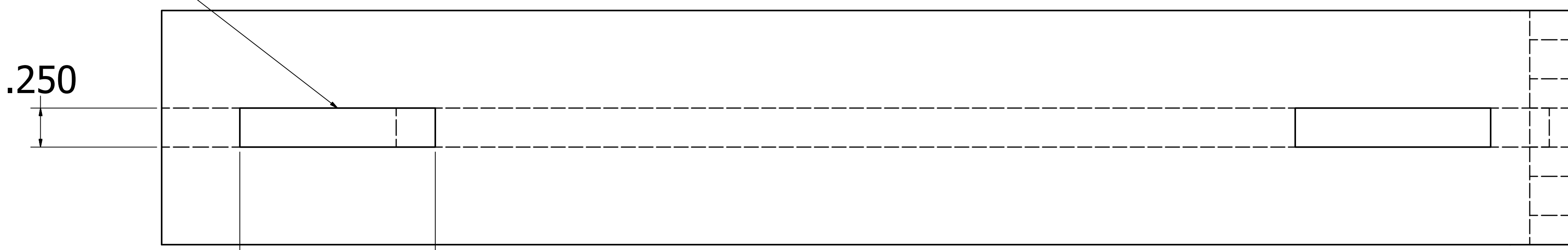
8 7 6 5 4 3 2 1

D

D



3X

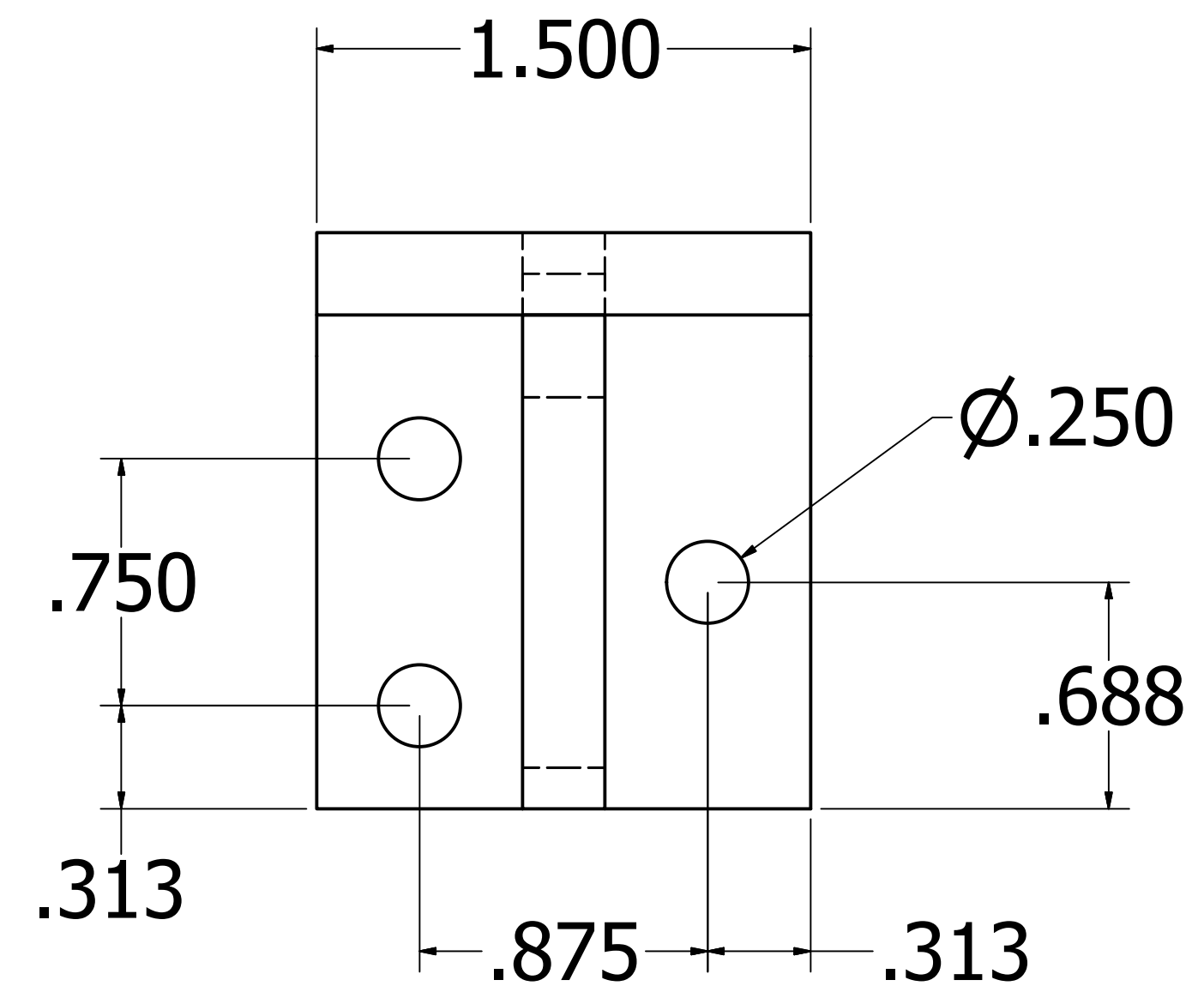
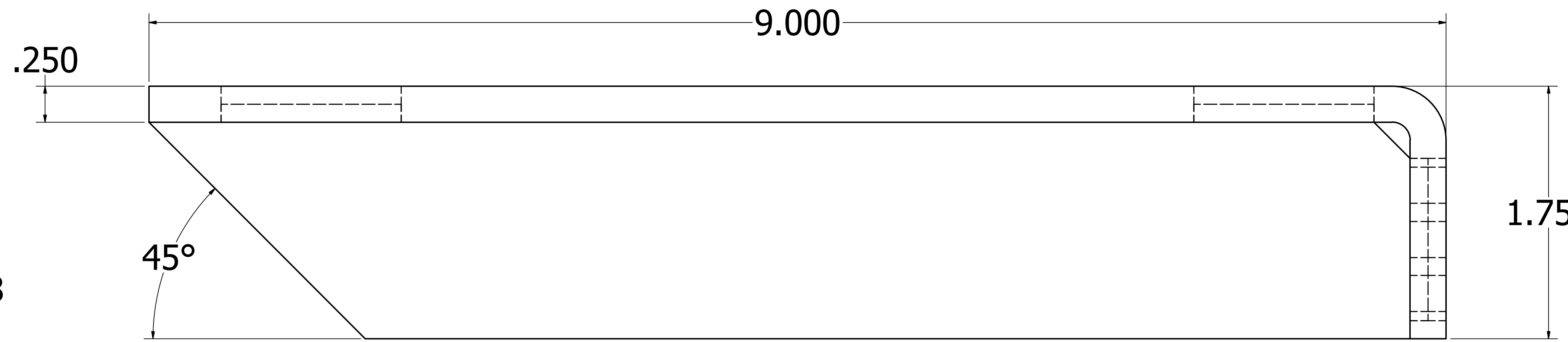


C

C

B

B



A

A

DRAWN	SAR	10/11/2017	TITLE		
CHECKED			9x1-3/4x1/4		
QA			SIZE	DWG NO	REV
MFG			D	9x1.75x.25	
APPROVED			SCALE	2	SHEET 1 OF 1

8 7 6 5 4 3 2 1