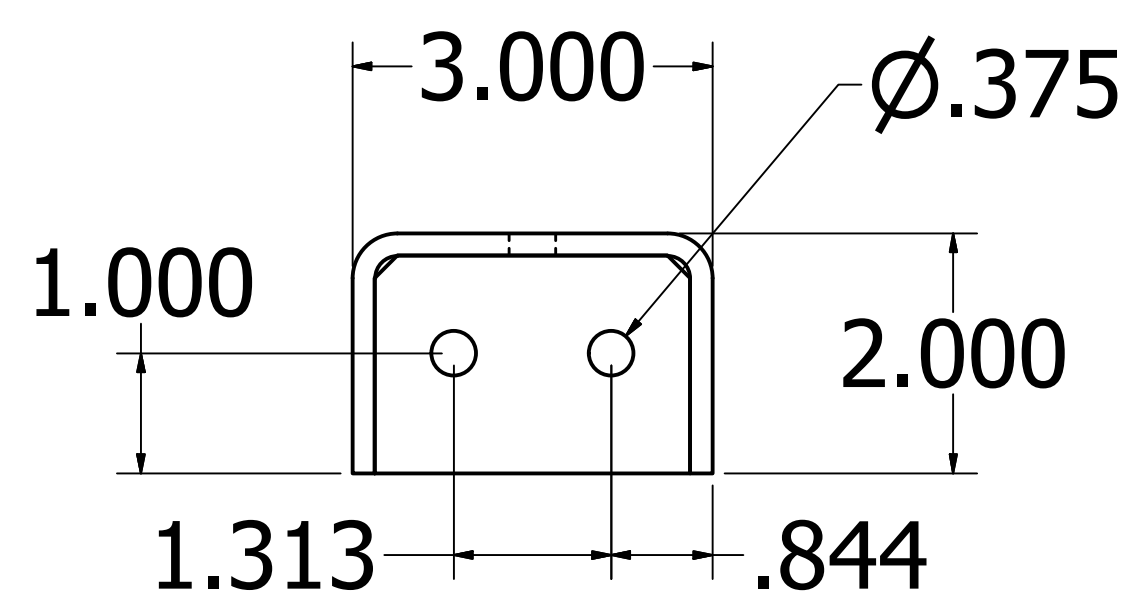


8 7 6 5 4 3 2 1

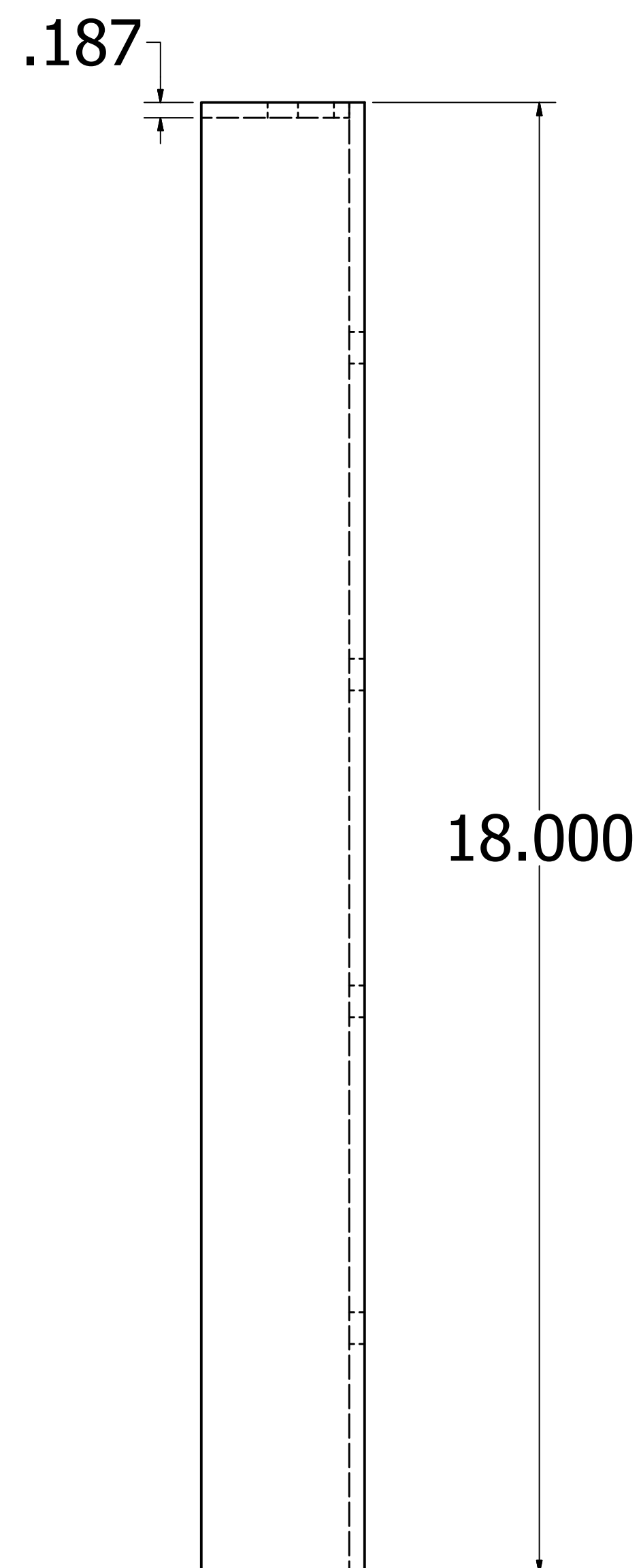
D

D



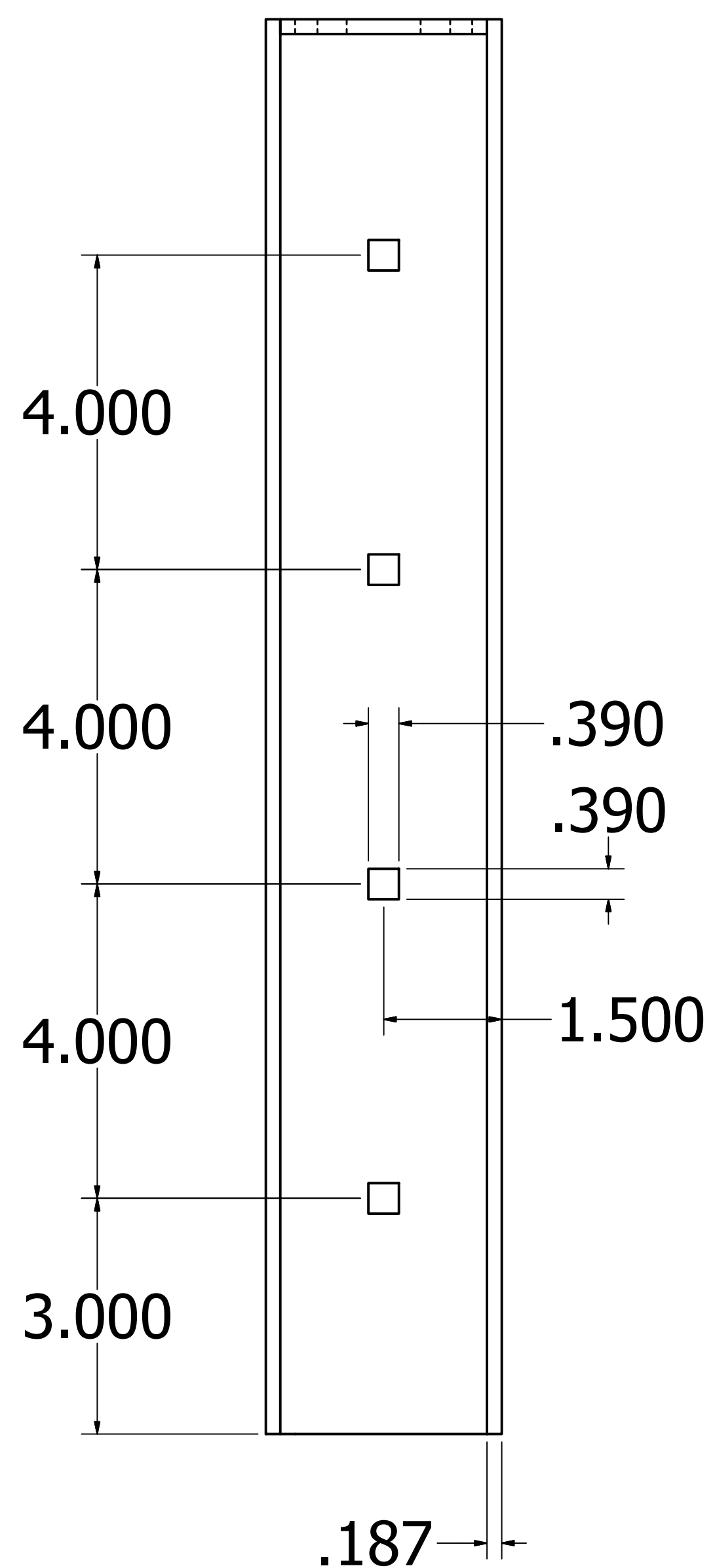
C

C



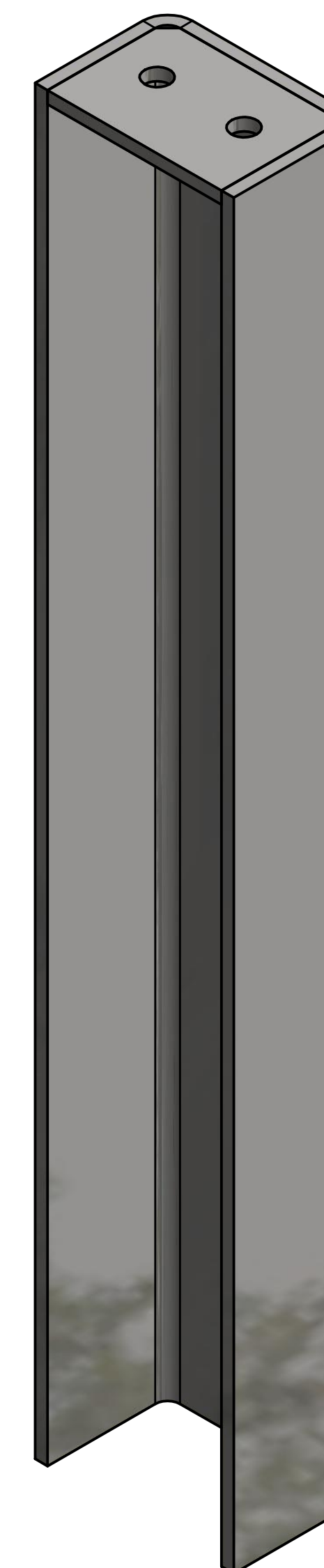
B

B



B

B



A

A

DRAWN	SAR	11/29/2018	TITLE	
CHECKED			18" VERTICAL	
QA			SIZE	DWG NO
MFG			D	102518-4-REV-1
APPROVED			SCALE	1 OF 1
			.625	

8 7 6 5 4 3 2 1