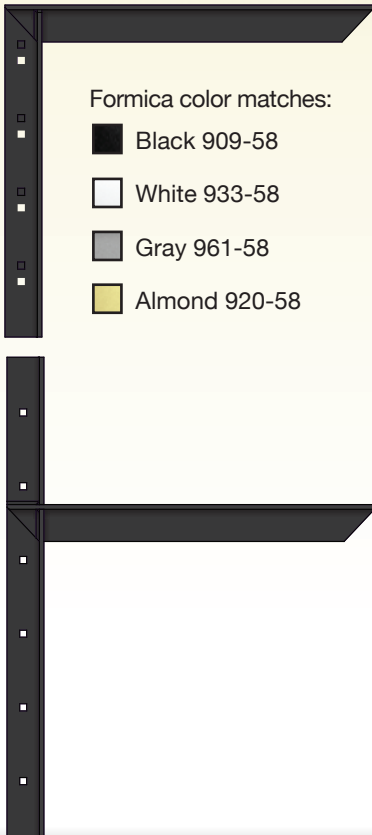
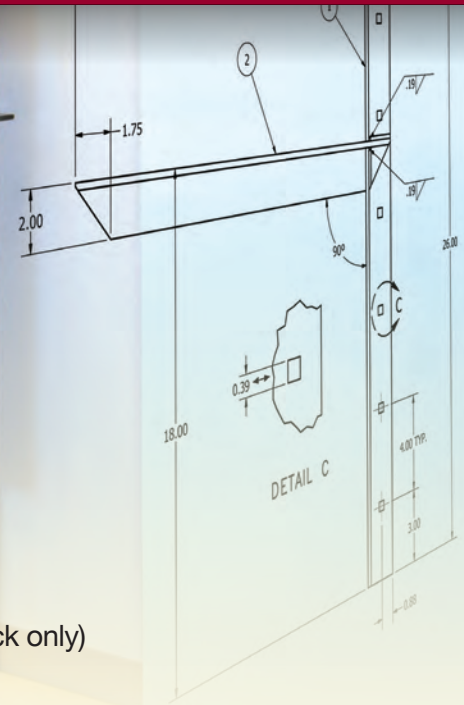




2.0" CONCEALED BRACKETS

STEEL CONSTRUCTION (VERY STRONG)

- 2.0" version: 9", 12", 15", 18", 21", 24" and 30" support arm lengths
- Available with upper extension (EC) and without (C)
- Upper extension (above the support arm) provides superior strength
- Load limit range of 1,000 lbs. to 7,960 lbs. per pair
- Mounting hardware included (3/8" - 16 x 3" carriage bolt assemblies)
- All welds on reverse for easy, clean install
- All sizes packaged 2 pcs per box
- Available in Black, White, Almond and Gray powder coat
- Concealed 9", 12", 18" and 24" Brackets available in US Made in 2.0" (Black only)
- C/EC 15", 21" and 30" Brackets available in Black and White only
- Recommend backing when used with metal studs



Formica color matches:

- Black 909-58
- White 933-58
- Gray 961-58
- Almond 920-58

2.0" Concealed Brackets - 9" to 30" Support Arm Mounting Hardware Included - (3/8" - 16 x 3" carriage bolt assemblies)

Bracket Size	2 - 58 Per Bracket		60+ Per Bracket		Pcs/Wgt/Box*
	USA	Import	USA	Import	
C(2.0)9	\$27.85	\$21.85	\$26.45	\$20.35	2 pcs/11 lbs
C(2.0)12	\$29.85	\$23.45	\$28.35	\$21.95	2 pcs/12 lbs
C(2.0)15	n/a	\$26.25	n/a	\$24.95	2 pcs/13 lbs
C(2.0)18	\$35.05	\$29.05	\$33.30	\$27.55	2 pcs/18 lbs
C(2.0)21	n/a	\$30.45	n/a	\$28.95	2 pcs/19 lbs
C(2.0)24	\$39.95	\$31.85	\$37.95	\$30.35	2 pcs/22 lbs
C(2.0)30	n/a	\$33.35	n/a	\$31.70	2 pcs/27 lbs

2.0" Extended Concealed Brackets - 9" to 30" Support Arm Mounting Hardware Included - (3/8" - 16 x 3" carriage bolt assemblies)

Bracket Size	2 - 58 Per Bracket	60+ Per Bracket	Pcs/Wgt/Box*
EC(2.0)9	\$24.10	\$22.60	2 pcs/14 lbs
EC(2.0)12	\$25.80	\$24.30	2 pcs/16 lbs
EC(2.0)15	\$28.70	\$27.30	2 pcs/16 lbs
EC(2.0)18	\$31.50	\$30.00	2 pcs/22 lbs
EC(2.0)21	\$33.35	\$31.70	2 pcs/22 lbs
EC(2.0)24	\$35.20	\$33.70	2 pcs/24 lbs
EC(2.0)30	\$47.05	\$44.70	2 pcs/31 lbs

A&M HARDWARE, INC.

Call To Order (888) 647-0200

1165 Strickler Road, Mount Joy, PA 17552 | Fax: (717) 653-5874

www.AandMhardware.com