



HEAVY DUTY ADJUSTABLE SUPPORT BRACKETS



Vertical Arms

- Available in Black (909-58) or White (933-58)
- Junction Blocks provided to use multiple Vertical Arms in succession
- Horizontal Arms can span 2 Vertical Arms for maximum adjustability
- Finishing Caps provided

ADJVA

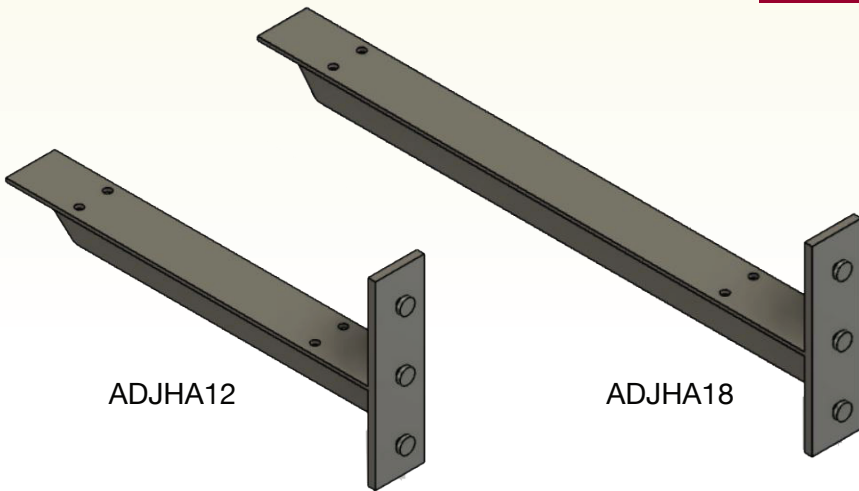


Left vertical arm without finishing plugs

Right vertical arm with finishing plugs

Horizontal Arms

- Available in Black (909-58) or White (933-58)
- Available with a 12" or an 18" Arm
- 12" arm rated at 2400 lbs/pair
- 18" arm rated at 1800 lbs/pair



ADJHA12

ADJHA18

Heavy Duty Adjustable Support Brackets Mounting Hardware Included

Bracket Size	1-59 pieces	60+ pieces	Pcs/Wgt/Box*
ADJVA	\$11.95	\$11.35	2 pc/5 lbs
ADJHA12	\$19.95	\$18.95	2 pc/6 lbs
ADJHA18	\$22.95	\$21.80	2 pc/7 lbs



A&M HARDWARE, INC.

Call To Order (888) 647-0200

1165 Strickler Road, Mount Joy, PA 17552 | Fax: (717) 653-5874

www.AandMhardware.com