

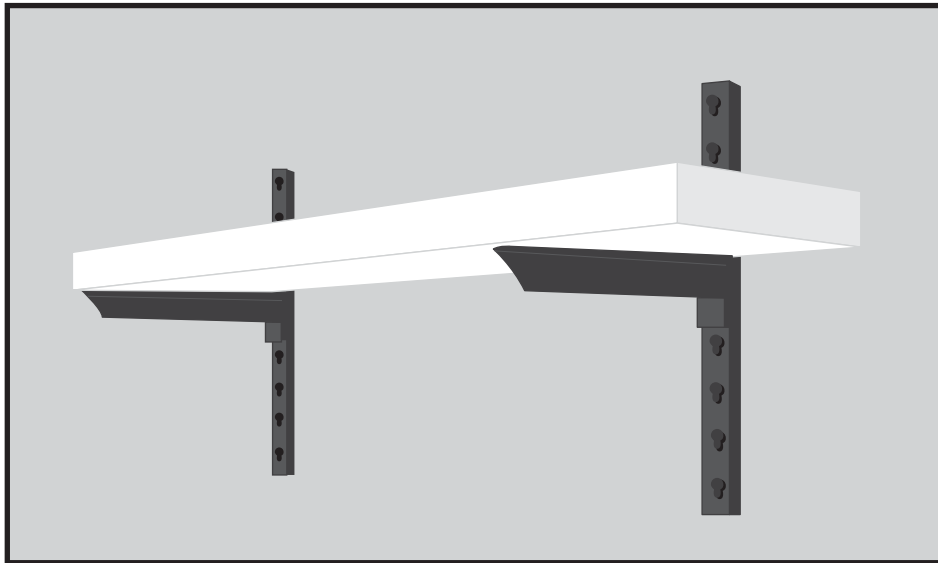


# ADJUSTABLE BRACKETS VERTICAL INSTALL

## Adjustable Brackets Vertical Install

1. Select the appropriate size bracket for your shelf surface. The overhang should be maximum of 6" longer than the bracket and a minimum of 3" to reduce visibility.
2. Locate the wall studs and hold the bracket directly over stud at the desired height. (Brackets must be installed into wall studs. Drywall anchors should not be used.)
3. Mark on the wall the locations of the holes to be drilled, set the bracket aside.  
Repeat if joining multiple verticals together.
4. Drill 3/16" pilot holes on the marked locations. Place bracket back into position and secure with 1/4" lag bolts.
5. Check for level and shim if necessary. Install desired projection arms. Use included plastic caps to cover screw holes.
6. Repeat for additional brackets. Vertical brackets spacing should be placed every 16 to 24" for optimum performance.

**NOTE:** wood backing when used with metal studs.



# A&M

# HARDWARE, INC.

**Call To Order (888) 647-0200**

1165 Strickler Road, Mount Joy, PA 17552

[www.AandMhardware.com](http://www.AandMhardware.com)